

GaAs Based Solar Cell Lamp

No: LZSC0510SC010A0N

Characteristics

Chip Material: GaAs

Chip Dimensions: 2 mm x 2 mm

Chip Thickness: 300 μm

Open Circuit Voltage, V_{oc} : 1.10 V

Short Circuit Current, I_{sc} : 13.16 mA

Maximum Power Voltage, V_m : 0.84 V

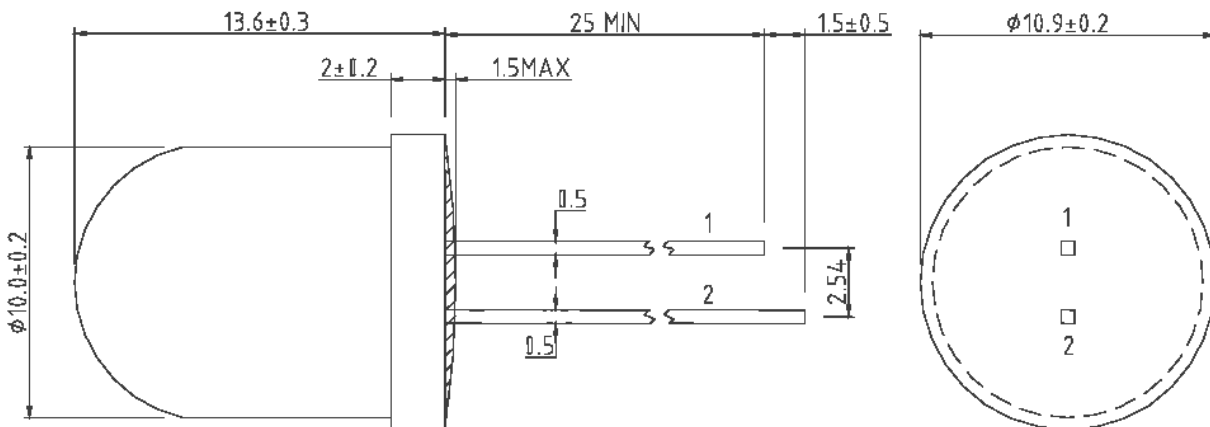
Maximum Power Current, I_m : 10.25 mA

Rated Power, P_m : 8.6 mW

Package Material: Epoxy

Test conditions: AM 1.5 (1000W/m²) @ 25°C

Device Layout



1. CATHODE
2. ANODE